

## 10.0 DRAWINGS

- A. PROJECT DRAWINGS
- B. SWIVEL & GEAR BOX
- C. PIPE HANDLER
- D. CONNECTION LINKS & BOGIE WHEELS
- E. DC-MOTOR ASSY.
- F. VALVE UNIT
- G. REMOTE BLOWER
- H. SERVICE LOOP & MANIFOLDS
- I. ERECTING SHEAVE
- J. ELECTRICAL DRAWINGS

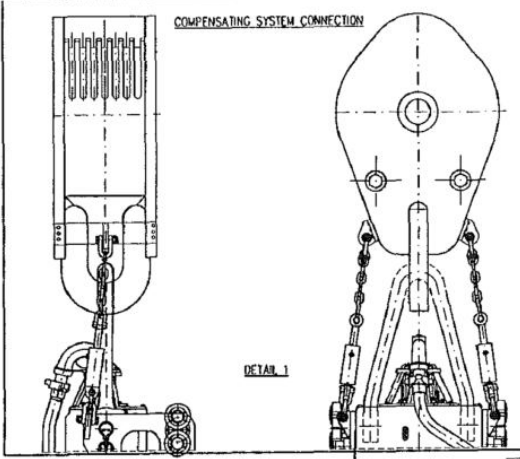
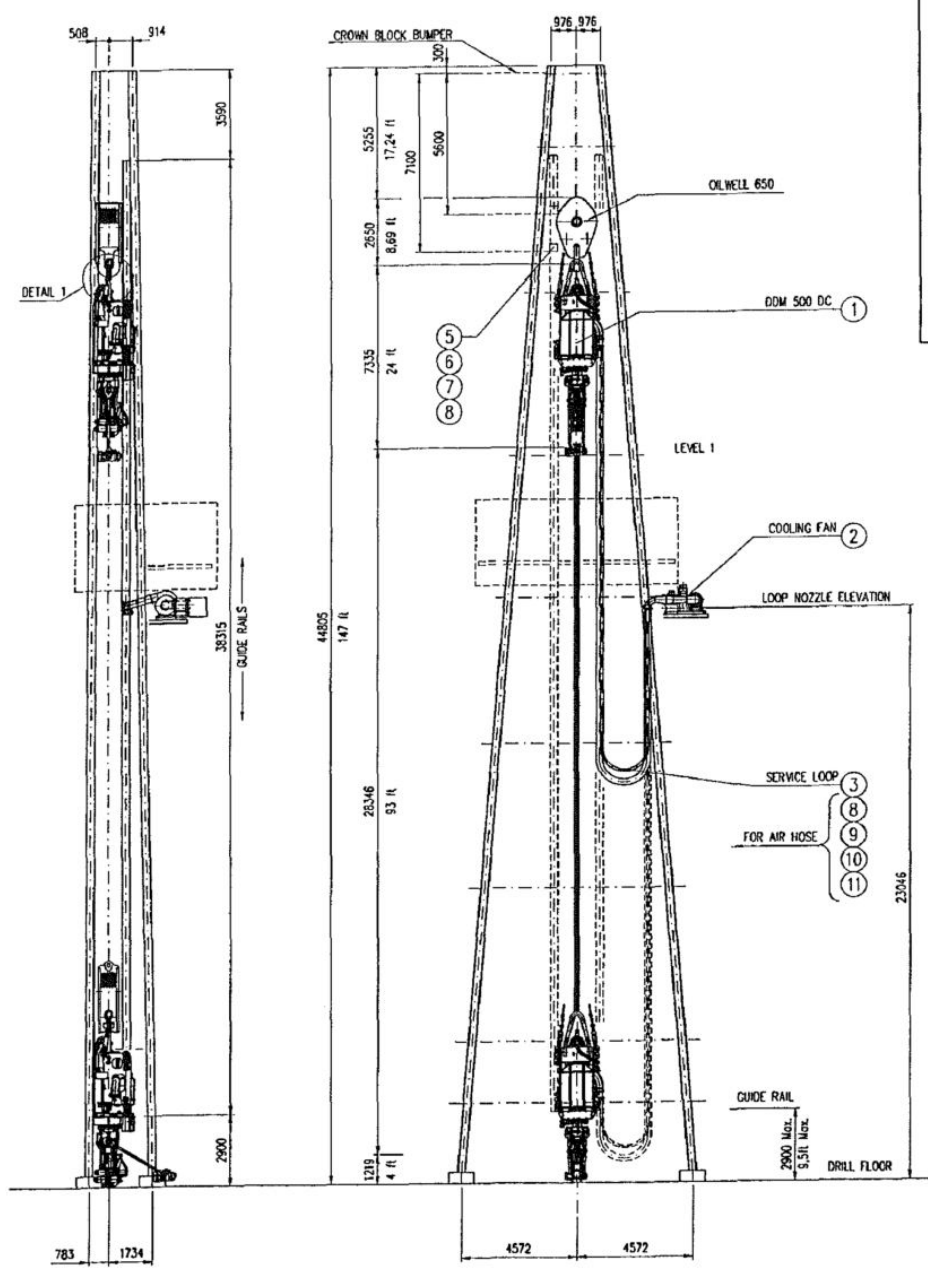
# INSTRUCTION MANUAL DRAWING LIST

EQUIPMENT: DDM-500-DC-C-06-CC-500 PROJECT DRAWINGS				Page: 1 of 1
MH Project No.: 7977C				Replaces previous date:
Drawing No.:	Rev.:	Format:	Title:	Comments

MH 1700-11	B	A1	Arrangement in Derrick
MH 1710-06	A	A1	Arrangement/ Assembly
MH 1702-06	-	A1	Pneum./Hydr. Block Diagram
 MH 1587-33	 D	 A1	 Weight compensating system, Assy.



Last saved: 06.01.93 .mc: 08.00 By: LOCKE, P. Name: M:\DRAWING\MH-DWG\MH-1700\1700-11.DWG

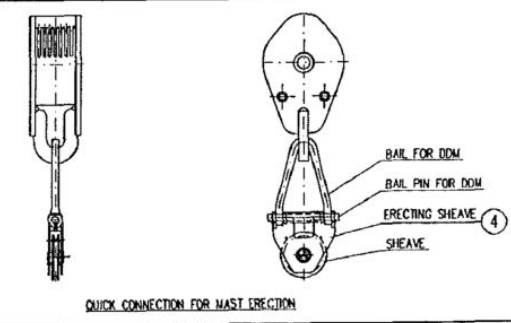
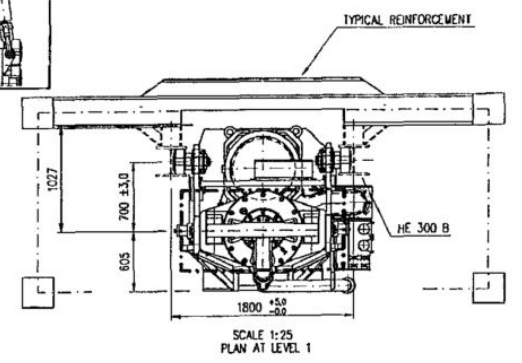


This document and all information and data disclosed herein or hereafter are the confidential and proprietary property of MARITIME HYDRAULICS and are not to be used, reproduced or disclosed in whole or in part by or to anyone without the written permission of MARITIME HYDRAULICS.

**THIS IS A COMPUTER AIDED DRAWING AND MUST NOT BE ALTERED MANUALLY.**

Tolerances except as noted      Welding except as noted

Rev.	Description of revision	Appr.	Date / Sign.
A	MAST DIMENSIONS CORRECTED	AK	23 NOV 93 MBR
B	ITEM 6-11 ADDED.	AK	5 Jun 94 KRL



Qty	Item	Description	Drwg./Material	Unit weight	Part number
2	11	GASKET	NEOPRENE		
16	10	WASHER M20	DN 125A HOT DIP GALV.		13222
16	9	HX.HD.BOLT M20x75	DN 931-8.8 HOT DIP GALV.		16165
-	8	WIRE #2	STAINLESS STEEL		
8	7	WASHER M16	DN 125A HOT DIP GALV.		13221
8	6	HX.HD.BOLT M16x20	DN 933-8.8 HOT DIP GALV.		13170
2	5	DDM LEVEL SENSOR BRACKET	MH 1738-13		
1	4	ERECTING SHEAVE ASSY.	MH 3194-03		
1	3	SERVICE LOOP	MH 1722-15		
1	2	COOLING FAN	MH 3240-12		
1	1	DDM 500 DC	MH 1710-06		

Date: 9 Nov 93      Drawn: AK      Traced:      Scale: 1:100

Checked: GLO      Approved: GLO      Projection:      Reproces:      Replaced by:

**DDM 500 DC w/LOCAL COOLING ARRANGEMENT IN MAST ON**

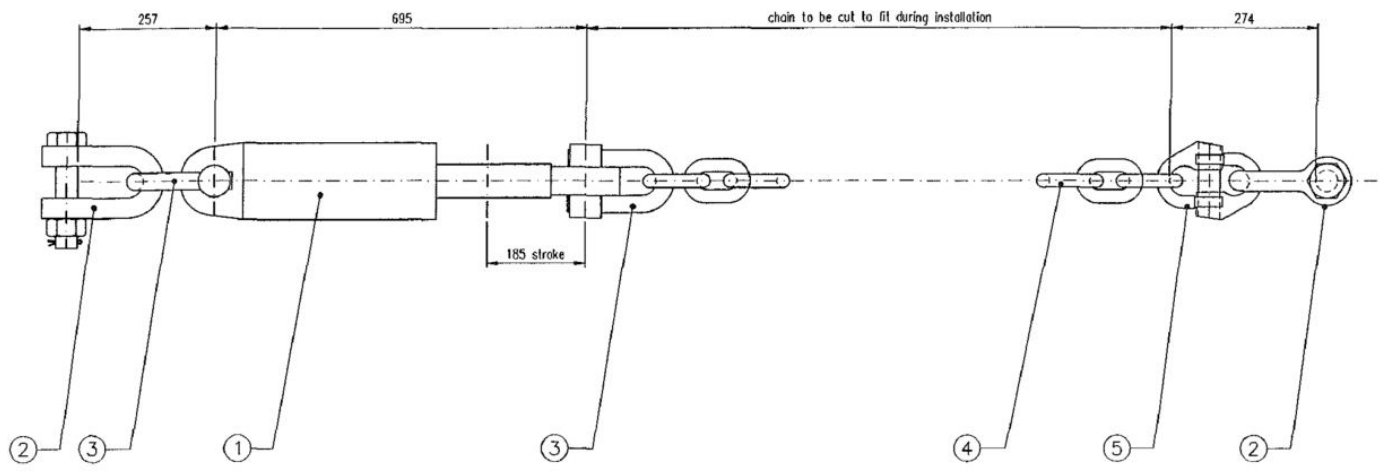
Formal Drawing number: A1 MH 1700-11      Rev: B

This document and all information and data disclosed herein or herewith are the confidential and proprietary property of MARITIME HYDRAULICS and are not to be used, reproduced or disclosed in whole or in part by or to anyone without the written permission of MARITIME HYDRAULICS.

**THIS IS A COMPUTER AIDED DRAWING AND MUST NOT BE ALTERED MANUALLY.**

Tolerances except as noted      Welding except as noted

Rev.	Description of revision	Appr.	Date / Sign.
C	ITEM 6 DELETED	BAas	22OCT1993AK
D	PART NUMBERS ADDED		27.10.93AK



NOTE: TWO ASSEMBLIES PER DDM

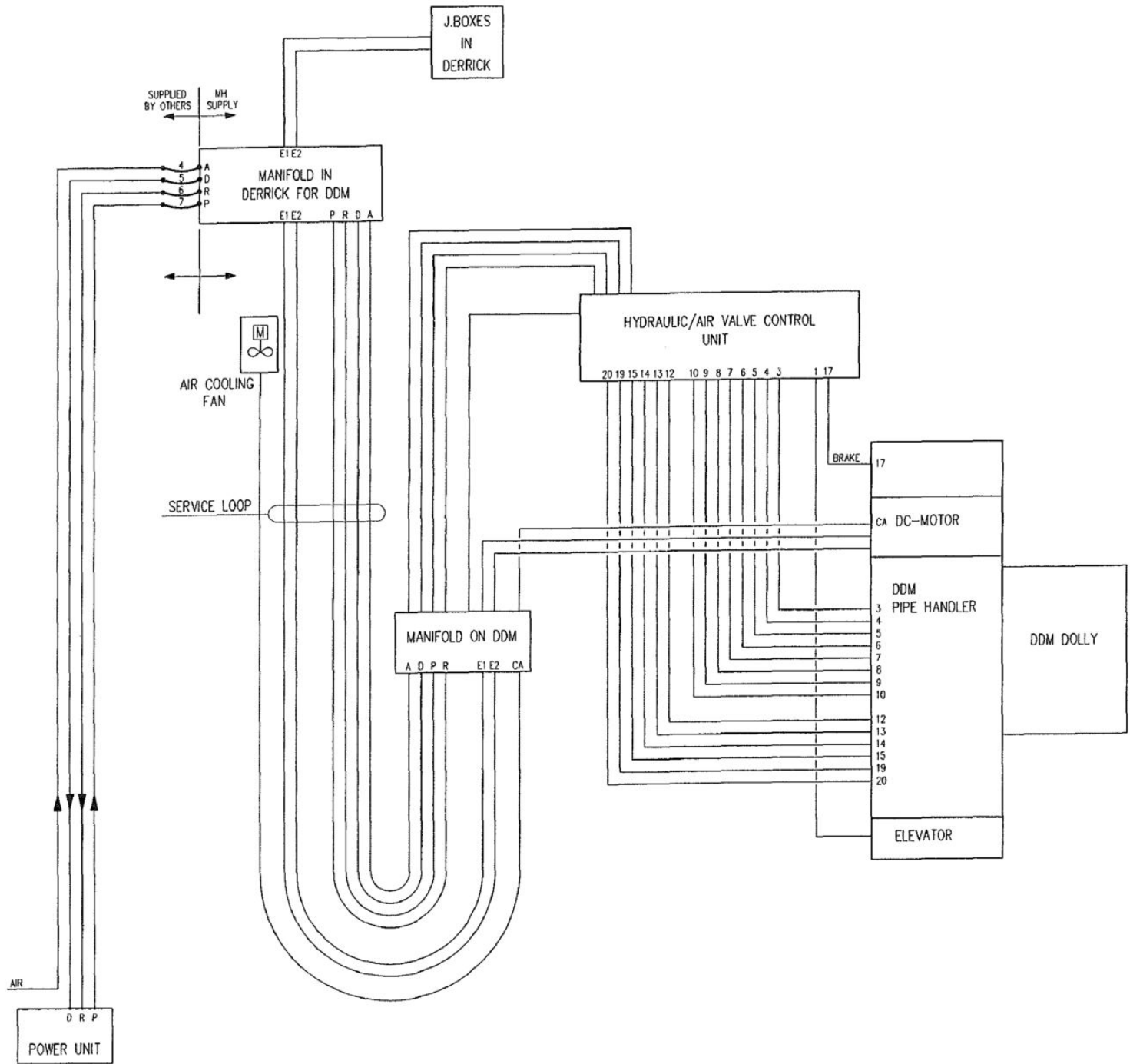
1	5	G LOCK	G22-8	3	15868
-	4	ALLOY BLUE CHAIN	KL25-8 SWL 18T L=2000mm	28	18881
2	3	ALLOY BLUE FRAMLOCK	NR22 SWL 28T	5	18880
2	2	SHACKLE BLUE PIN	KG1150 17T SWL	9	19079
1	1	CYLINDER	CD10-SS125/63x185HRT	43	19082
Qty	Item	Description	Dwg./Material	Unit weight	Part number
Date	12 DEC 1993	Drawn	GJo	Traced	Scale
Checked	JOA	Approved	JOA	Projection	1:5
DDM		WEIGHT COMPENSATING SYSTEM		ASSEMBLY	
Replaces		Replaced by		Format	Drawing number
				A1	MH 1587-33
					Rev
					D

This document and all information and data disclosed herein or hereafter are the confidential and proprietary property of MARITIME HYDRAULICS and are not to be used, reproduced or disclosed in whole or in part by or to anyone without the written permission of MARITIME HYDRAULICS.

**THIS IS A COMPUTER AIDED DRAWING AND MUST NOT BE ALTERED MANUALLY.**

Tolerances except as noted      Welding except as noted

Rev.	Description of revision	Appr.	Date / Sign.



HYDRAULIC OIL AND AIR FLOW DIAGRAM				
MEDIUM	MARK	LINE DIM.	FLOW L/MIN.	PRESSURE, BAR
N1	HYDRAULIC OIL	P, R	1 1/2 IN	160
N3	HYDRAULIC OIL	D	1 IN	15
N4	AIR	A	1 IN	500
	EL. CABLE	E1, E2	N.A.	N.A.
	COOLING AIR	CA	8 IN	100000
				0,08

Qty.	Item	Description	Drwg./Material	Unit weight	Part number
Date	9 Nov 93	Drawn AK	Traced	Scale	-
Checked	GJO	Approved GJO	Projection	ES	
<b>MARITIME HYDRAULICS</b>				Replaces	Replaced by
<b>DDM SYSTEM BLOCK &amp; PIPING DIAGRAM</b>				Format	Drawing number
				A1	MH 1702-06
				Rev	